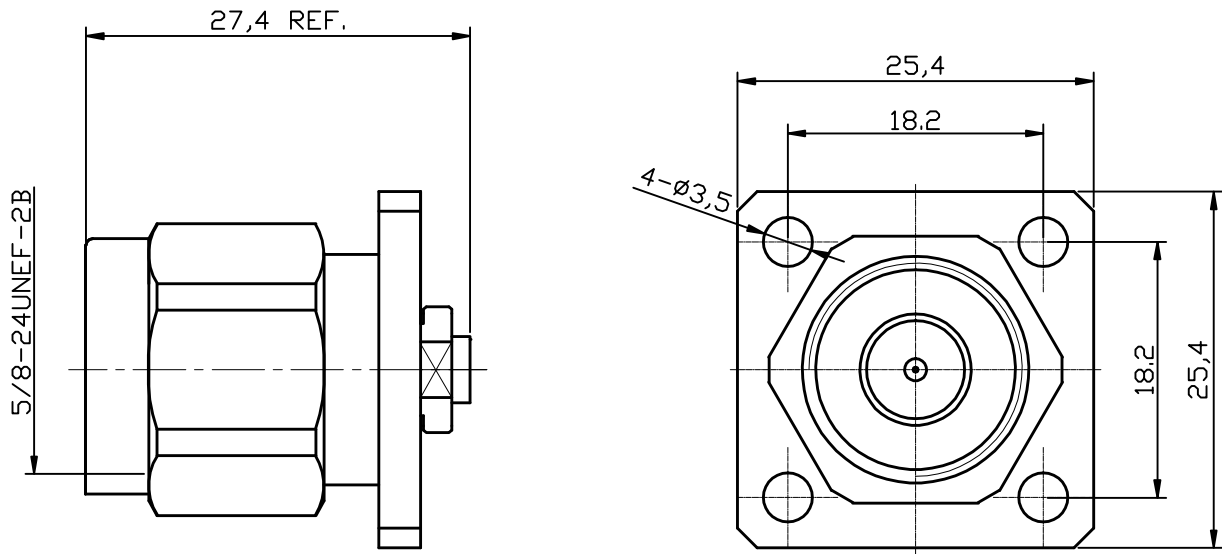


1	2	3	4
RevNo	Revision note	Date	Signature
00	Sketch Only	9/05/16	Teresa Simon



RoHS Compliant.

Interface Per: MIL-STD-348, IEC 60169-16

Material & Finishing:

1. Center conductor: Brass, Silver Plating
2. Insulators: PTFE
3. Body : Brass, Albaloy Plating
4. Gasket: Silicone Rubber
5. Coupling Nut: Brass, Albaloy Plating
6. C'Ring: Phosphor Bronze

Electrical Data:

1. Impedance: 50 Ohms
2. Frequency Range: DC to 3 GHz
3. VSWR: <1.15 @ 0-3GHz
4. PIM: <-160 dBc @43dbmX2

Group 30 cable of KR: .141 semi-flex, 141semi-rigid, RG402, M17/130, JC400

ALL DIMENSIONS ARE IN MILLIMETERS AND [INCHES]

LIJEN, LLC from KERUI

Title
Cable Connector N(m) straight bulkhead
for group 30 cable .141
(N-J141)

THESE DRAWING & SPEC. ARE THE PROPERTY OF LIJEN, LLC from KERUI AND SHALL NOT BE REPRODUCED, OR COPIED OR USED AS THE BASIS FOR THE MANUFACTURE OR SALE OF APPARATUS OR DEVICES WITHOUT THEIR EXPRESS WRITTEN CONSENT.

UNLESS OTHERWISE NOTED ALL SURFACES FINISHED TO 64/MAX.
ALL TOLERANCES ARE:
DECIMALS FRACTIONS ANGLES
x ± 1.0 ±1/64 x' ± 1"
x.x ± 0.5 x'x' ± 0.5
x.xx ± 0.1

Drawn by Teresa	Ckd by Simon	Appd by Richard	Date 9/05/2016
--------------------	-----------------	--------------------	-------------------

Scale 2:1	Sheet 1 of 1	80 1111 330 15
--------------	--------------	----------------