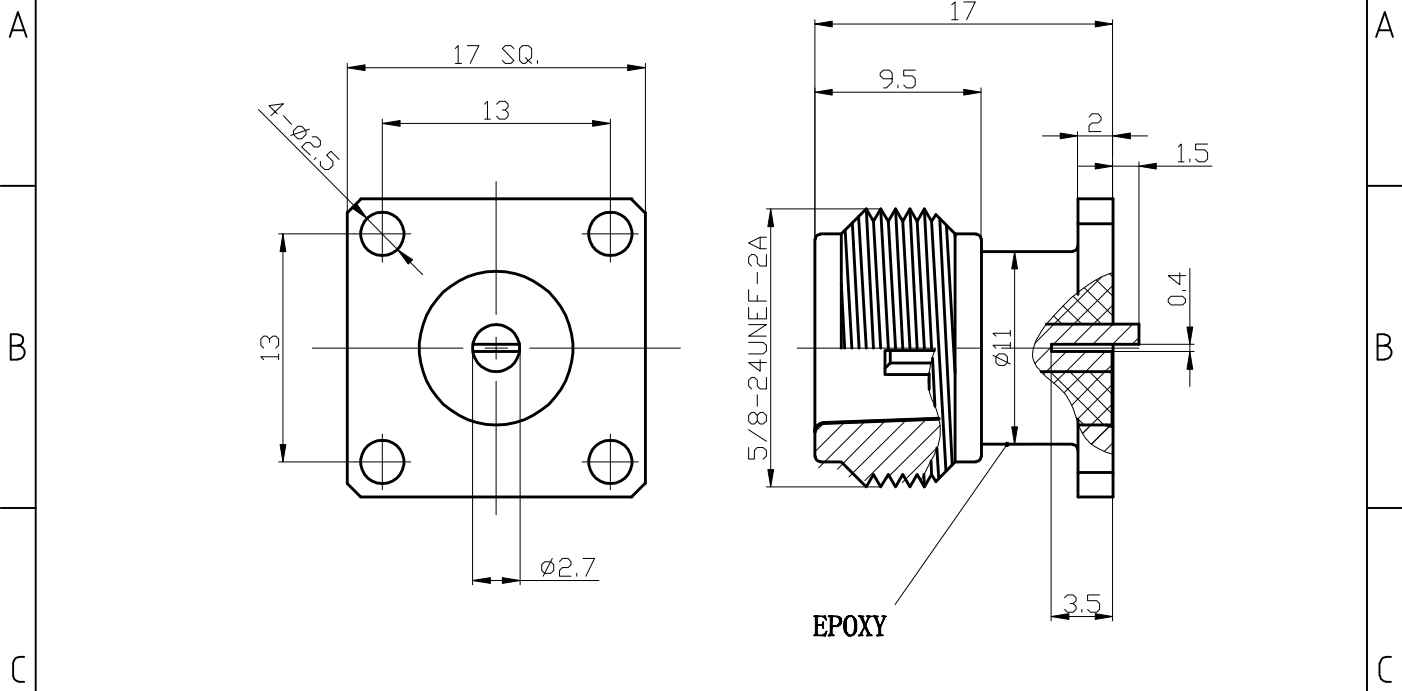


1	2	3	4	
RevNo	Revision note	Date	Signature	Checked
00	Sketch Only	9/05/16	Teresa	Simon



RoHS Compliant.

Interface Per: MIL-STD-348, IEC 60169-16

Material & Finishing:

1. Center conductor: Phosphor Bronze, Gold Plating
2. Insulators: PTFE
3. Body : Brass, Nickel Plating

Electrical Data:

1. Impedance: 50 Ohms

ALL DIMENSIONS ARE IN MILLIMETERS AND [INCHES]

LIJEN, LLC from KERUI

Title

N(F) flange mounting Cable Connector

THESE DRAWING & SPEC. ARE THE PROPERTY OF LIJEN, LLC from KERUI AND SHALL NOT BE REPRODUCED, OR COPIED OR USED AS THE BASIS FOR THE MANUFACTURE OR SALE OF APPARATUS OR DEVICES WITHOUT THEIR EXPRESS WRITTEN CONSENT.

UNLESS OTHERWISE NOTED ALL SURFACES FINISHED TO 64/MAX.

ALL TOLERANCES ARE:
 DECIMALS FRACTIONS ANGLES
 x ± 1.0 ±1/64 x' ± 1'
 x.x ± 0.5 x'x' ± 0.5
 x.xx ± 0.1

Drawn by
Teresa

Ckd by
Simon

Appd by
Richard

Date
9/05/2016

Scale
2:1

Sheet 1 of 1

80 1121 043 21