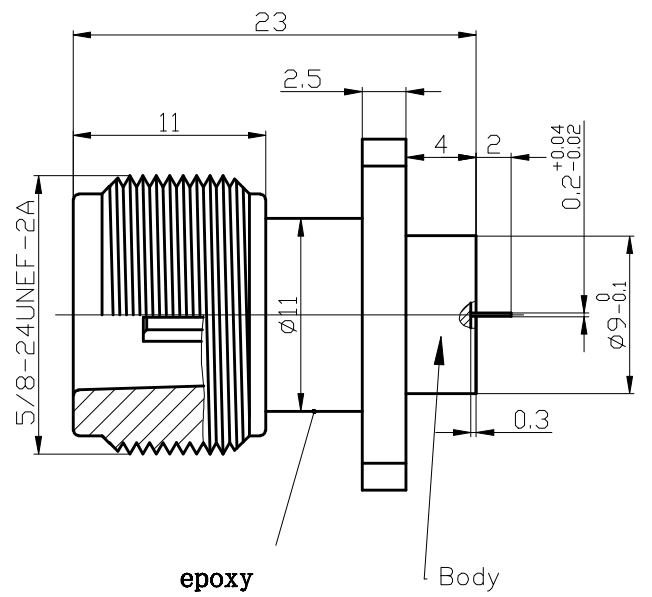
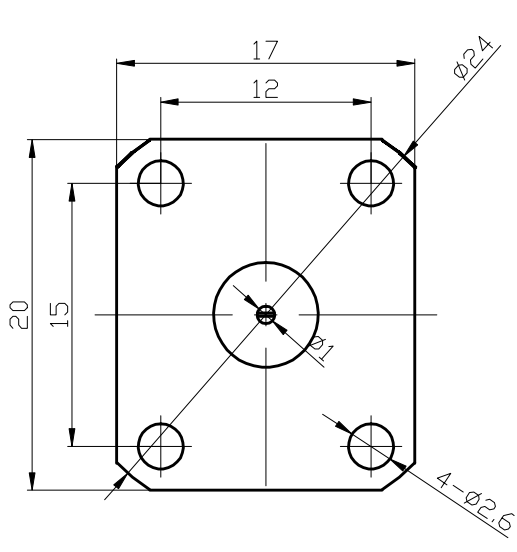


| 1 | 2 | 3 | 4 |
|-------|---------------|---------|--------------|
| RevNo | Revision note | Date | Signature |
| 00 | Sketch Only | 9/05/16 | Teresa Simon |



RoHS Compliant.

Interface Per: MIL-STD-348, IEC 60169-16

Material & Finishing:

1. Center conductor: Phosphor Bronze, Gold Plating
2. Insulators: PTFE
3. Body : Brass, Nickel Plating

Electrical Data:

1. Impedance: 50 Ohms

| | | | |
|--|---|--------------------------------------|-------------------|
| ALL DIMENSIONS ARE IN MILLIMETERS AND [INCHES] | | Title | |
| LIJEN, LLC from KERUI | | N(F) flange mounting Cable Connector | |
| THESE DRAWING & SPEC. ARE THE PROPERTY OF LIJEN, LLC from KERUI AND SHALL NOT BE REPRODUCED, OR COPIED OR USED AS THE BASIS FOR THE MANUFACTURE OR SALE OF APPARATUS OR DEVICES WITHOUT THEIR EXPRESS WRITTEN CONSENT. | UNLESS OTHERWISE NOTED ALL SURFACES FINISHED TO $\sqrt{64}$ MAX. | Drawn by Teresa | Ckd by Simon |
| | ALL TOLERANCES ARE: DECIMALS FRACTIONS ANGLES $x \pm 1.0$ $\pm 1/64$ $x' \pm 1'$ $x.x \pm 0.5$ $xx' \pm 0.5$ $x.xx \pm 0.1$ | Appd by Richard | Date 9/05/2016 |
| | | Sheet 1 of 1 | 80 1121 044 04 |