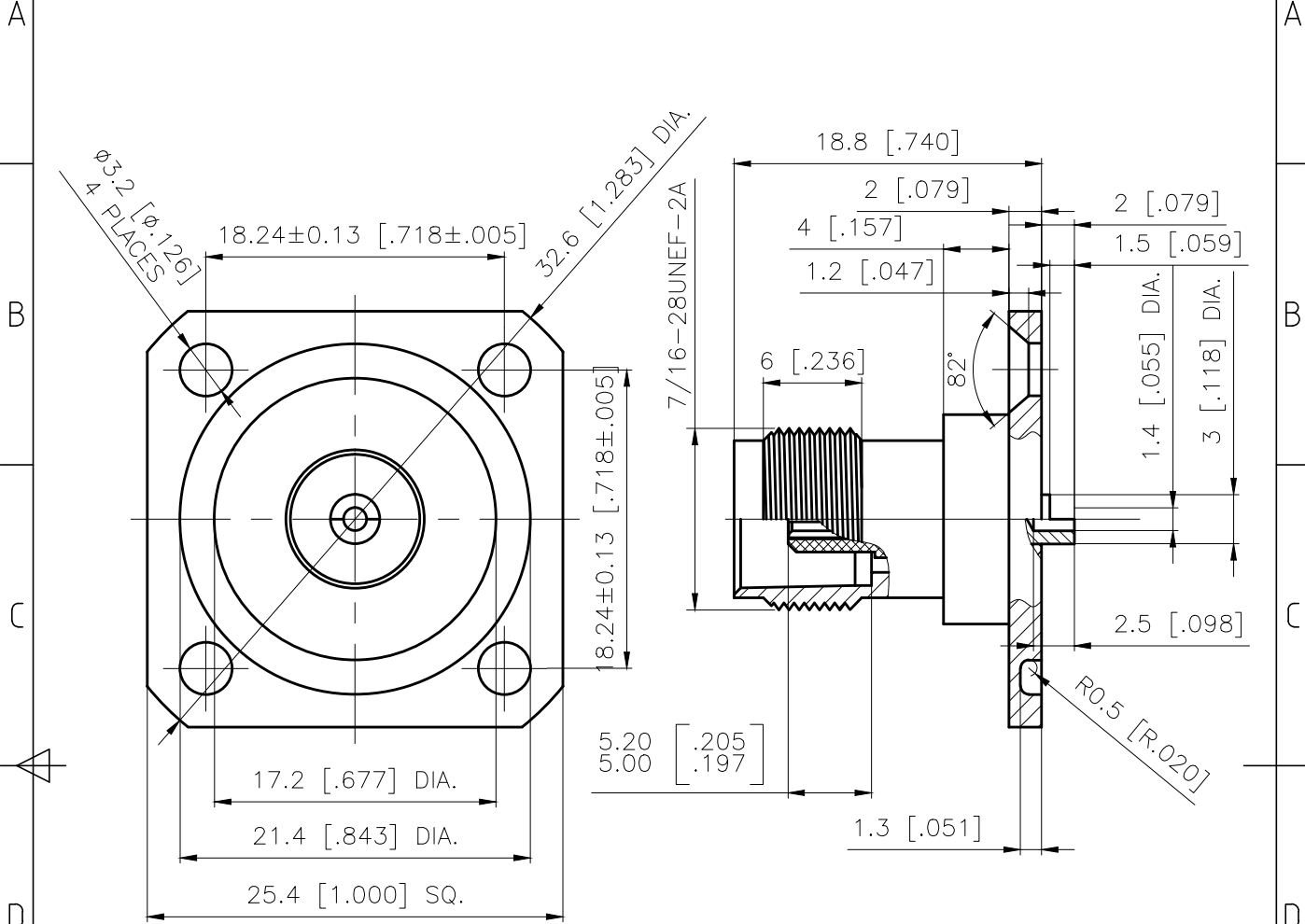


1	2	3	4		
RevNo	Revision note	Date	Signature	Checked	
00	Sketch Only	9/9/19	Teresa	Simon	
A	Released	9/4/20	Teresa	Simon	



Interface Per: MIL-STD-348, IEC 60169-17

Material & Finishing:

1. Center condutor: Beryllium Copper, Gold Plating
2. Insulators: PTFE
3. Body: Brass, Nickel Plating

FILE NAME: 010-AAN-CFH-AAA-ACZ-005

ALL DIMENSIONS ARE IN MILLIMETERS AND [INCHES]		Title TNC female 1" flange panel mounted receptacle (TNC-KFD-5)																
LIJEN, LLC from KERUI		Drawn by Teresa	Ckd by Simon	Appd by Richard	Date 9/9/2019													
<small>THESE DRAWING & SPEC. ARE THE PROPERTY OF LIJEN, LLC FROM KERUI AND SHALL NOT BE REPRODUCED, OR COPIED OR USED AS THE BASIS FOR THE MANUFACTURE OR SALE OF APPARATUS OR DEVICES WITHOUT THEIR EXPRESS WRITTEN CONSENT.</small>		<small>UNLESS OTHERWISE NOTED ALL SURFACES FINISHED TO $\frac{1}{64}$ MAX.</small> <small>ALL TOLERANCES ARE:</small> <table border="0"> <tr> <td>DECIMALS</td> <td>FRACTIONS</td> <td>ANGLES</td> </tr> <tr> <td>x ± 1.0</td> <td>±1/64</td> <td>x' ± 1'</td> </tr> <tr> <td>x.x ± 0.5</td> <td></td> <td>x'x' ± 0.5'</td> </tr> <tr> <td>x.xx ± 0.1</td> <td></td> <td></td> </tr> </table>		DECIMALS	FRACTIONS	ANGLES	x ± 1.0	±1/64	x' ± 1'	x.x ± 0.5		x'x' ± 0.5'	x.xx ± 0.1			Scale 2.5:1	Sheet 1 of 2	50 1121 046 06
DECIMALS	FRACTIONS	ANGLES																
x ± 1.0	±1/64	x' ± 1'																
x.x ± 0.5		x'x' ± 0.5'																
x.xx ± 0.1																		

1 | 2 | 3 | 4

A

Electrical Data:

1. Impedance: 50 Ohms
2. Frequency Range: DC to 3.0 GHz
3. Contact Resistance: Inner Contact: 1.5 milliohms max.
Outer Contact: 0.4 milliohms max.
4. Insulation Resistance: 5000 megaohms min.
5. Dielectric Withstanding Voltage: 1500 V
6. VSWR: N/A (Uncabled receptacles)

B

Mechanical Data:

1. Contact Captivation: Axial force: 15 N
2. Coupling Nut Torque:
Recommended: 0.46–0.69 N.m
Max.: 1.7 N.m
3. Durability: 500 cycles

C

Environmental Data:

1. Operating Temperature Rang: -55°C up to 155°C
2. Test Categories: IEC 55/155/21
3. Relative Humidity: MIL-STD-202, Method 106
4. Thermal Shock: MIL-STD-202, Method 107, Cond. B
5. Shock: MIL-STD-202, Method 213, Cond. J
6. Vibration: MIL-STD-202, Method 204, Cond. B
7. Corrosion: MIL-STD-202, Method 101, Cond. B

D

RoHS Compliant.

E

ALL DIMENSIONS ARE IN MILLIMETERS AND [INCHES]

LIJEN, LLC from KERUI

Title TNC female 1" flange panel mounted receptacle (TNC-KFD-5)			
--------------------------------------------------------------------------	--	--	--

THESE DRAWING & SPEC. ARE THE PROPERTY OF LIJEN, LLC FROM KERUI AND SHALL NOT BE REPRODUCED, OR COPIED OR USED AS THE BASIS FOR THE MANUFACTURE OR SALE OF APPARATUS OR DEVICES WITHOUT THEIR EXPRESS WRITTEN CONSENT.

UNLESS OTHERWISE NOTED ALL SURFACES FINISHED TO $\sqrt{64}$ MAX.

ALL TOLERANCES ARE:

DECIMALS	FRACTIONS	ANGLES
x \pm 1.0	$\pm 1/64$	x' \pm 1'
x.x \pm 0.5		x'x' \pm 0.5"
x.xx \pm 0.1		

Drawn by Teresa	Ckd by Simon	Appd by Richard	Date 9/9/2019
Scale	Sheet 2 of 2	50 1121 046 06	

1 | 4

A

B

C

D

E

F