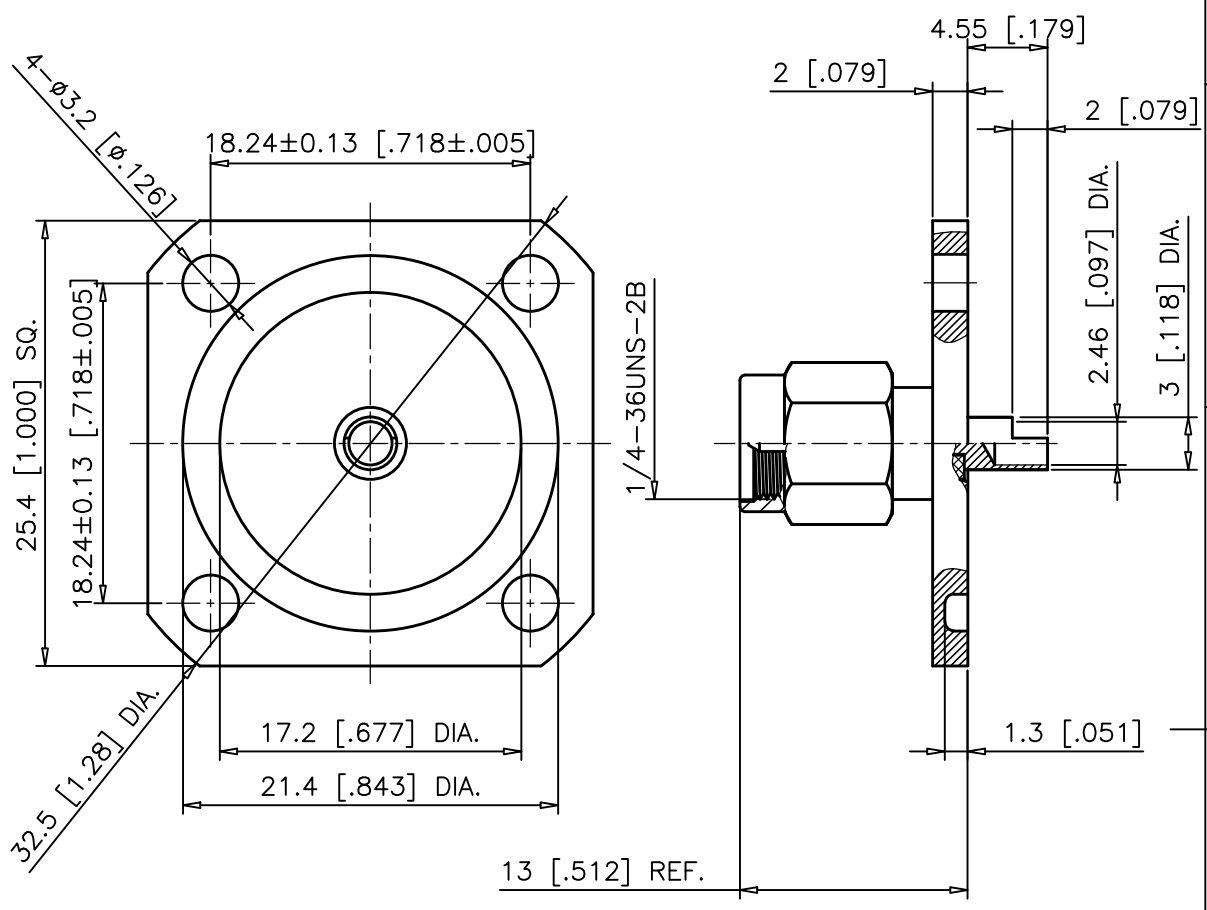


RevNo	Revision note	Date	Signature	Checked
00	Sketch Only	6/20/20	Teresa	Simon
01	Change the length 12.71 to 13	7/1/20	Teresa	Simon
A	Released	9/4/20	Teresa	Simon



Interface Per: MIL-STD-348, IEC 60169-15

Material & Finishing:

1. Center conductor: Brass, Gold Plating 0.1 μm
2. Insulators: PTFE
3. Body: Brass, Gold Plating 0.05 μm

ALL DIMENSIONS ARE IN MILLIMETERS AND [INCHES]

LIJEN, LLC from KERUI

Title
SMA male 1" flange
panel mounted receptacle
(SMA-JFD-2)

THESE DRAWING & SPEC. ARE THE PROPERTY OF LIJEN, LLC FROM KERUI AND SHALL NOT BE REPRODUCED, OR COPIED OR USED AS THE BASIS FOR THE MANUFACTURE OR SALE OF APPARATUS OR DEVICES WITHOUT THEIR EXPRESS WRITTEN CONSENT.

UNLESS OTHERWISE NOTED ALL SURFACES FINISHED TO $\nabla 64$ MAX.
ALL TOLERANCES ARE:
DECIMALS FRACTIONS ANGLES
x \pm 1.0 $\pm 1/64$ x' \pm 1'
x.x \pm 0.5 x'x' \pm 0.5'
x.xx \pm 0.1

Drawn by Teresa	Ckd by Simon	Appd by Richard	Date 06/20/2020
Scale ∇ 2.5:1	Sheet 1 of 2	10 1111 046 02	