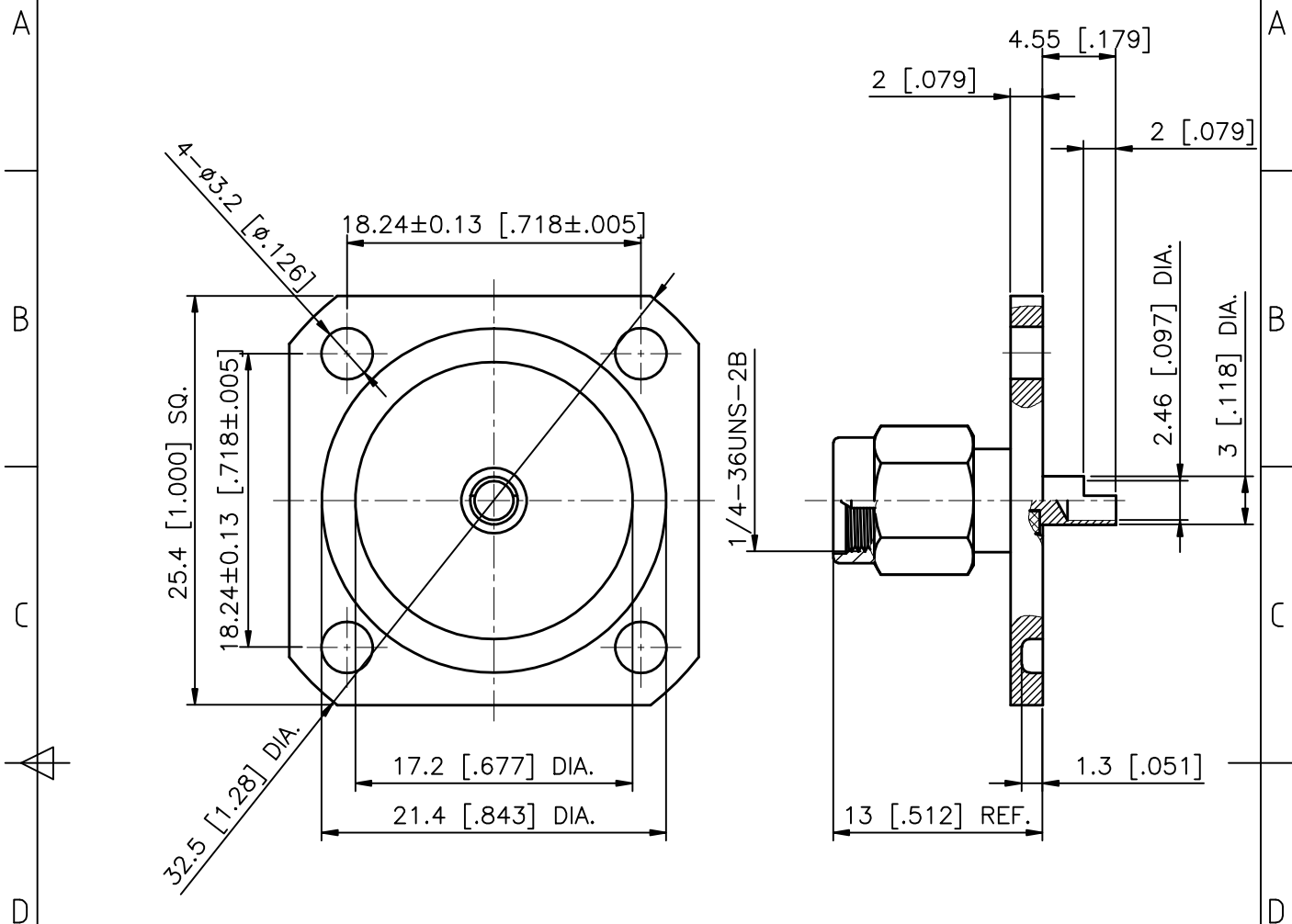


1	2	3	4	
RevNo	Revision note	Date	Signature	Checked
00	Sketch Only	11/21/19	Teresa	Simon



Interface Per: MIL-STD-348, IEC 60169-15

Material & Finishing:

1. Center conductor: Brass, Gold Plating
2. Insulators: PTFE
3. Body: Brass, Nickel Plating

ALL DIMENSIONS ARE IN MILLIMETERS AND [INCHES]

LIJEN, LLC from KERUI

Title  
SMA male 1" flange  
panel mounted receptacle  
(SMA-JFD-1)

THESE DRAWING & SPEC. ARE THE PROPERTY OF LIJEN, LLC FROM KERUI AND SHALL NOT BE REPRODUCED, OR COPIED OR USED AS THE BASIS FOR THE MANUFACTURE OR SALE OF APPARATUS OR DEVICES WITHOUT THEIR EXPRESS WRITTEN CONSENT.

UNLESS OTHERWISE NOTED ALL SURFACES FINISHED TO 64/MAX.  
ALL TOLERANCES ARE:  
DECIMALS FRACTIONS ANGLES  
x ± 1.0 ±1/64 x' ± 1'  
x.x ± 0.5 x'x' ± 0.5  
x.xx ± 0.1

Drawn by  
Teresa

Ckd by  
Simon

Appd by  
Richard

Date  
11/21/2019

Scale  
2.5:1

Sheet 1 of 2

10 1111 046 01

Electrical Data:

1. Impedance: 50 Ohms
2. Frequency Range: DC to 12.4 GHz
3. Contact Resistance: Inner Contact: 3 milliohms max.  
Outer Contact: 2 milliohms max.
4. Insulation Resistance: 5000 megaohms min.
5. Dielectric Withstanding Voltage: 1000 V
6. VSWR: N/A (Uncabled receptacles, dummy loads)

Mechanical Data:

1. Contact Captivation: Axial force: 22 N
2. Coupling Nut Torque:  
Recommended: 0.7–1.1 N.m  
Max.: 1.7 N.m
3. Durability: 500 cycles

Environmental Data:

1. Operating Temperature Rang:  $-40^{\circ}\text{C}$  up to  $125^{\circ}\text{C}$
2. Test Categories: IEC 40/100/21
3. Relative Humidity: MIL-STD-202, Method 106
4. Thermal Shock: MIL-STD-202, Method 107, Cond. B
5. Shock: MIL-STD-202, Method 213, Cond. J
6. Vibration: MIL-STD-202, Method 204, Cond. B
7. Corrosion: MIL-STD-202, Method 101, Cond. B

RoHS Compliant.

ALL DIMENSIONS ARE IN MILLIMETERS AND [INCHES]

LIJEN, LLC from KERUI

Title SMA male 1" flange  
panel mounted receptacle  
(SMA-JFD-1)

THESE DRAWING & SPEC. ARE THE  
PROPERTY OF LIJEN, LLC FROM  
KERUI AND SHALL NOT BE  
REPRODUCED, OR COPIED OR USED  
AS THE BASIS FOR THE  
MANUFACTURE OR SALE OF  
APPARATUS OR DEVICES WITHOUT  
THEIR EXPRESS WRITTEN CONSENT.

UNLESS OTHERWISE NOTED  
ALL SURFACES FINISHED TO 64/MAX.  
ALL TOLERANCES ARE:  
DECIMALS FRACTIONS ANGLES  
 $x \pm 1.0$   $\pm 1/64$   $x' \pm 1'$   
 $x.x \pm 0.5$   $x'x' \pm 0.5'$   
 $x.xx \pm 0.1$

Drawn by Teresa	Ckd by Simon	Appd by Richard	Date 11/21/2019
--------------------	-----------------	--------------------	--------------------

Scale	Sheet 2 of 2	10 1111 046 01
-------	--------------	----------------