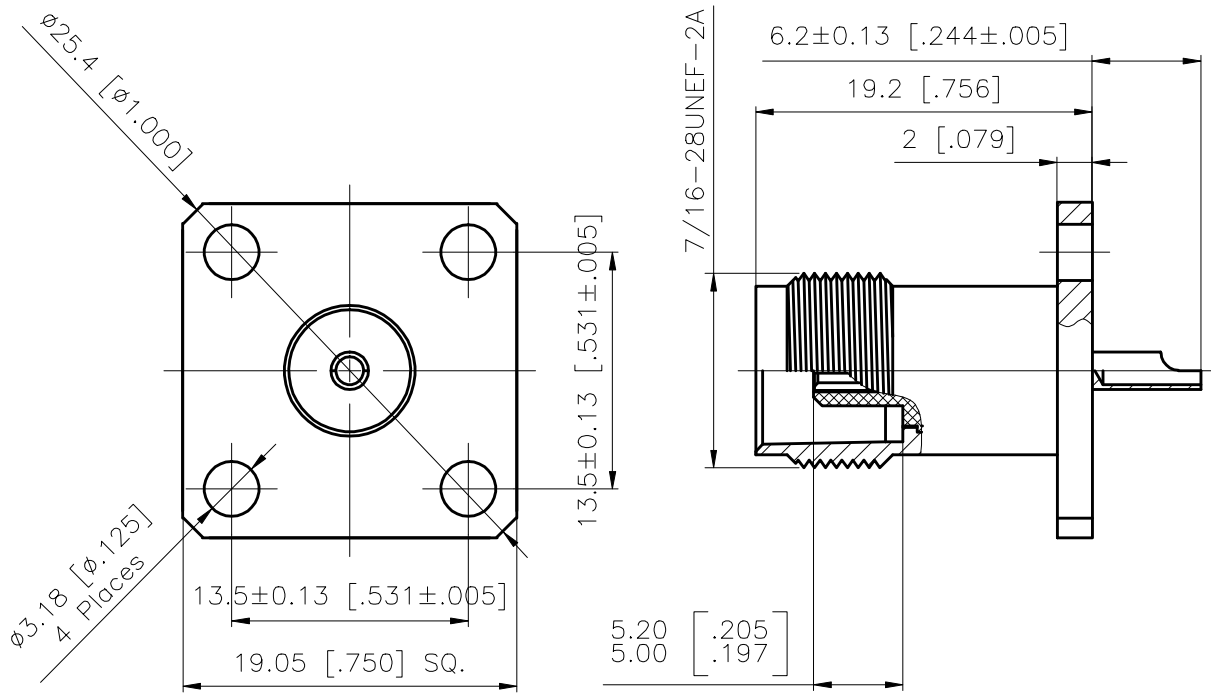


RevNo	Revision note	Date	Signature	Checked
0	Sketch Only	10/14/11	Teresa	Simon
1	Change flange dimension to 3/4"	11/10/11	Teresa	Simon



Interface Per: MIL-STD-348, IEC 60169-17

Material & Finishing:

1. Center conductor: Beryllium Copper, Gold Plating
2. Insulators: PTFE
3. Body: Brass, Nickel Plating

ALL DIMENSIONS ARE IN MILLIMETERS AND [INCHES]

LIJEN, LLC from KERUI

Title TNC female 3/4" flange panel mounted receptacle (TNC-KFD-00)			
Drawn by Teresa	Ckd by Simon	Appd by Richard	Date 10/14/2011
Scale 2.5:1	Sheet 1 of 2	50 1121 046 07 (KR3.660.5008)	

THESE DRAWING & SPEC. ARE THE PROPERTY OF LIJEN, LLC FROM KERUI AND SHALL NOT BE REPRODUCED, OR COPIED OR USED AS THE BASIS FOR THE MANUFACTURE OR SALE OF APPARATUS OR DEVICES WITHOUT THEIR EXPRESS WRITTEN CONSENT.

UNLESS OTHERWISE NOTED ALL SURFACES FINISHED TO 64/MAX.
ALL TOLERANCES ARE:
DECIMALS FRACTIONS ANGLES
x ± 1.0 ±1/64 x' ± 1'
x.x ± 0.5 x'x' ± 0.5
x.xx ± 0.1

Electrical Data:

1. Impedance: 50 Ohms
2. Frequency Range: DC to 3.0 GHz
3. Contact Resistance: Inner Contact: 1.5 milliohms max.
Outer Contact: 0.4 milliohms max.
4. Insulation Resistance: 5000 megaohms min.
5. Dielectric Withstanding Voltage: 1500 V
6. VSWR: N/A (Uncabled receptacles)

Mechanical Data:

1. Contact Captivation: Axial force: 15 N
2. Coupling Nut Torque:
Recommended: 0.46–0.69 N.m
Max.: 1.7 N.m
3. Durability: 500 cycles

Environmental Data:

1. Operating Temperature Rang: -55°C up to 155°C
2. Test Categories: IEC 55/155/21
3. Relative Humidity: MIL-STD-202, Method 106
4. Thermal Shock: MIL-STD-202, Method 107, Cond. B
5. Shock: MIL-STD-202, Method 213, Cond. J
6. Vibration: MIL-STD-202, Method 204, Cond. B
7. Corrosion: MIL-STD-202, Method 101, Cond. B

RoHS Compliant.

ALL DIMENSIONS ARE IN MILLIMETERS AND [INCHES]

LIJEN, LLC from KERUI

Title
TNC female 3/4" flange
panel mounted receptacle
(TNC-KFD-00)

THESE DRAWING & SPEC. ARE THE
PROPERTY OF LIJEN, LLC FROM
KERUI AND SHALL NOT BE
REPRODUCED, OR COPIED OR USED
AS THE BASIS FOR THE
MANUFACTURE OR SALE OF
APPARATUS OR DEVICES WITHOUT
THEIR EXPRESS WRITTEN CONSENT.

UNLESS OTHERWISE NOTED
ALL SURFACES FINISHED TO 64/MAX.
ALL TOLERANCES ARE:
DECIMALS FRACTIONS ANGLES
 $x \pm 1.0$ $\pm 1/64$ $x' \pm 1'$
 $x.x \pm 0.5$ $x'x' \pm 0.5$
 $x.xx \pm 0.1$

Drawn by Teresa	Ckd by Simon	Appd by Richard	Date 10/14/2011
Scale	Sheet 2 of 2	50 1121 046 07 (KR3.660.5008)	