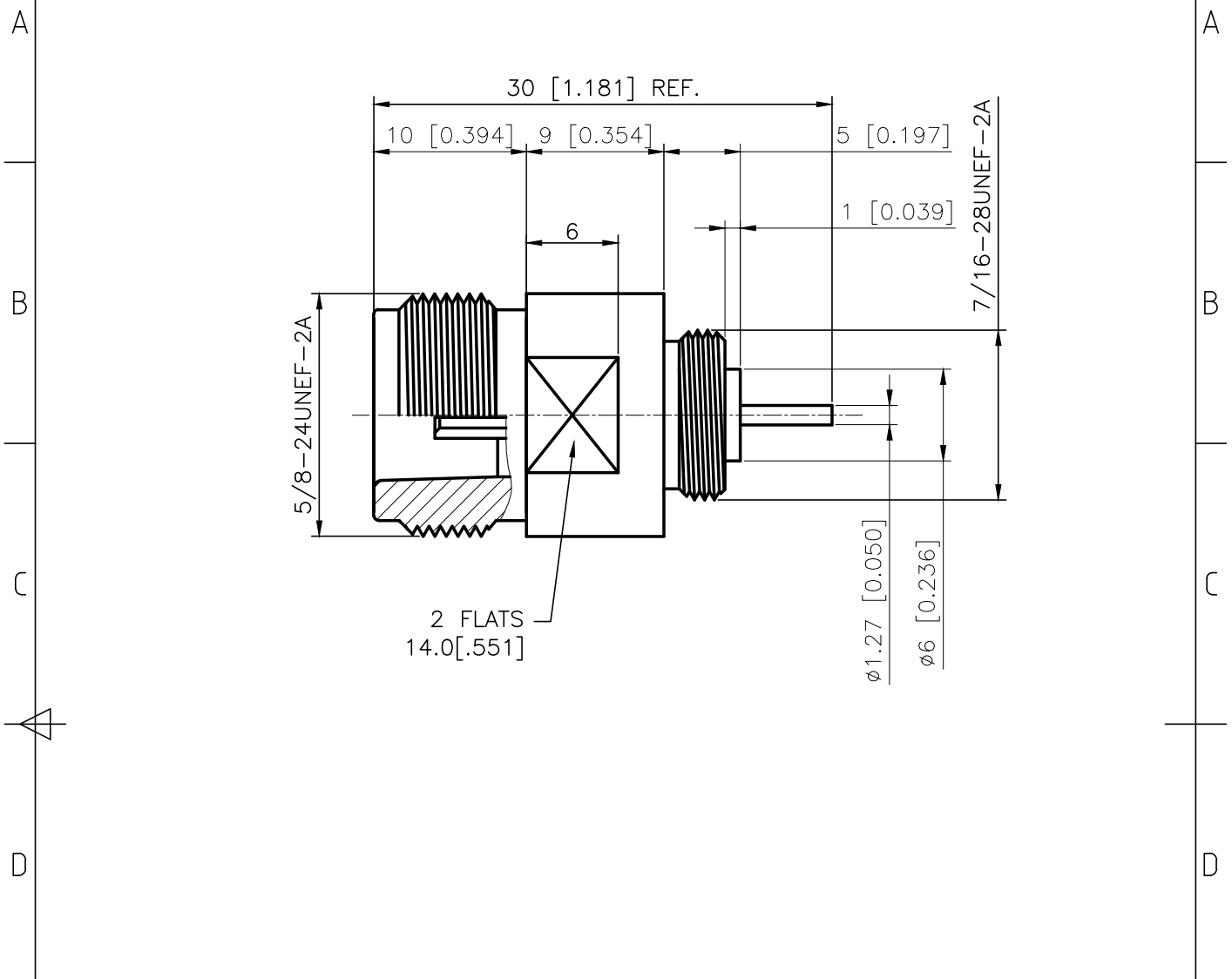


1	2	3	4
RevNo	Revision note	Date	Signature
00	sketch only	2/21/20	Teresa
			Simon



Interface Per: MIL-STD-348, IEC 60169-16

Material & Finishing:

1. Center conductor: Beryllium Copper, Gold plating
2. Insulators: PTFE
3. Body, Nut: Brass, Nickel plating

ALL DIMENSIONS ARE IN MILLIMETERS AND [INCHES]

LIJEN, LLC from KERUI

Title N female thread Mounted Receptacle (N-KY-12)

THESE DRAWING & SPEC. ARE THE PROPERTY OF LIJEN, LLC FROM KERUI AND SHALL NOT BE REPRODUCED, OR COPIED OR USED AS THE BASIS FOR THE MANUFACTURE OR SALE OF APPARATUS OR DEVICES WITHOUT THEIR EXPRESS WRITTEN CONSENT.

UNLESS OTHERWISE NOTED ALL SURFACES FINISHED TO 64/MAX.  
ALL TOLERANCES ARE:  
DECIMALS FRACTIONS ANGLES  
x ± 1.0 ±1/64 x' ± 1°  
x.x ± 0.5 x'x' ± 0.5°  
x.xx ± 0.1

Drawn by Teresa	Ckd by Simon	Appd by Richard	Date 2/21/2020
Scale 2.5:1	Sheet 1 of 2	80 1121 071 09	

1                      2                      3                      4

A                      Electrical Data:                      A

1. Impedance: 50 Ohms
2. Frequency Range: DC to 11.0 GHz
3. Contact Resistance: Inner Contact: 1 milliohms max.  
Outer Contact: 0.25 milliohms max.
4. Insulation Resistance: 5000 megaohms min.
5. Dielectric Withstanding Voltage: 1000 V
6. VSWR: -
7. Insertion Loss: -
8. PIM 3rd: -

B                      Mechanical Data:                      B

1. Contact Captivation: Axial force: 28 N  
Torque: 0.028 N.m
2. Coupling Nut Torque:  
Recommended: 0.7-1.1 N.m  
Max.: 1.7 N.m
3. Durability: 500 cycles

C                      Environmental Data:                      C

1. Operating Temperature Rang: -55°C up to 155°C
2. Test Categories: IEC 55/155/21
3. Relative Humidity: MIL-STD-202, Method 106
4. Thermal Shock: MIL-STD-202, Method 107, Cond. B
5. Shock: MIL-STD-202, Method 213, Cond. J
6. Vibration: MIL-STD-202, Method 204, Cond. B
7. Corrosion: MIL-STD-202, Method 101, Cond. B

D                      RoHS Compliant.                      D

E                                           E

ALL DIMENSIONS ARE IN MILLIMETERS AND [INCHES]

LIJEN, LLC from KERUI

Title N female thread Mounted  
Receptacle  
(N-KY-12)

THESE DRAWING & SPEC. ARE THE  
PROPERTY OF LIJEN, LLC FROM  
KERUI AND SHALL NOT BE  
REPRODUCED, OR COPIED OR USED  
AS THE BASIS FOR THE  
MANUFACTURE OR SALE OF  
APPARATUS OR DEVICES WITHOUT  
THEIR EXPRESS WRITTEN CONSENT.

UNLESS OTHERWISE NOTED  
ALL SURFACES FINISHED TO 64/MAX.  
ALL TOLERANCES ARE:  
DECIMALS FRACTIONS ANGLES  
x ± 1.0 ±1/64 x' ± 1°  
.x.x ± 0.5 x'x' ± 0.5°  
x.xx ± 0.1

Drawn by Teresa	Ckd by Simon	Appd by Richard	Date 2/20/2020
Scale	Sheet 2 of 2	80 1121 071 09	

1                      4

F                                           F