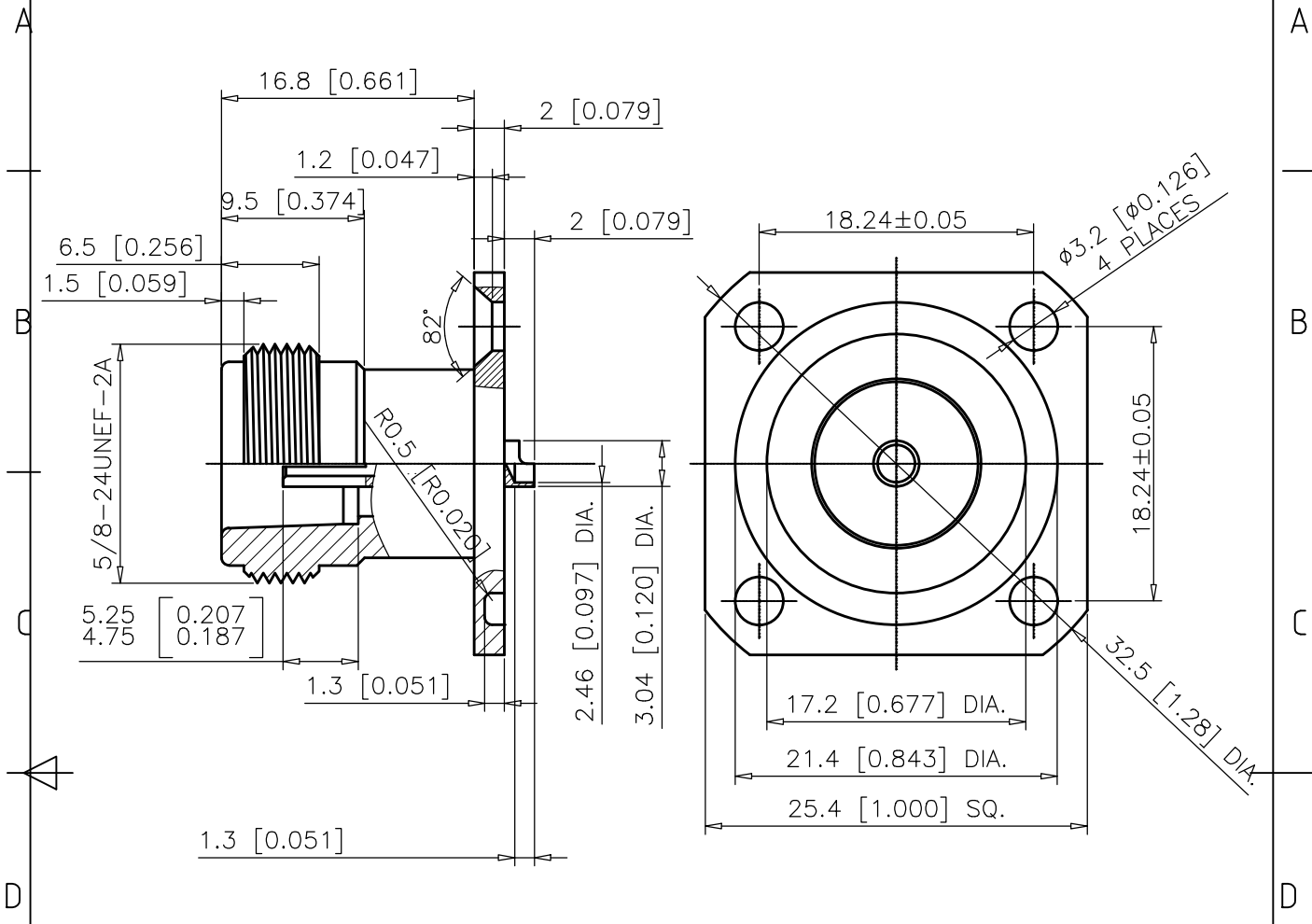


1	2	3	4	
RevNo	Revision note	Date	Signature	Checked
00	Sketch Only	9/9/19	Teresa	Simon
A	Released	9/4/20	Teresa	Simon



Interface Per: MIL-STD-348, IEC 60169-16

Material & Finishing:

1. Center conductor: Beryllium Copper, Gold Plating
2. Insulators: PTFE
3. Body: Brass, Nickel Plating

ALL DIMENSIONS ARE IN MILLIMETERS AND [INCHES]

LIJEN, LLC from KERUI

Title N female 1" flange panel mounted receptacle (N-KFD-31)			
Drawn by Teresa	Ckd by Simon	Appd by Richard	Date 9/9/2019
Scale 2.3:1	Sheet 1 of 2	80 1121 046 15	

THESE DRAWING & SPEC. ARE THE PROPERTY OF LIJEN, LLC FROM KERUI AND SHALL NOT BE REPRODUCED, OR COPIED OR USED AS THE BASIS FOR THE MANUFACTURE OR SALE OF APPARATUS OR DEVICES WITHOUT THEIR EXPRESS WRITTEN CONSENT.

UNLESS OTHERWISE NOTED ALL SURFACES FINISHED TO 64/MAX.
ALL TOLERANCES ARE:
DECIMALS FRACTIONS ANGLES
x ± 1.0 ±1/64 x' ± 1'
x.x ± 0.5 x'x' ± 0.5
x.xx ± 0.1