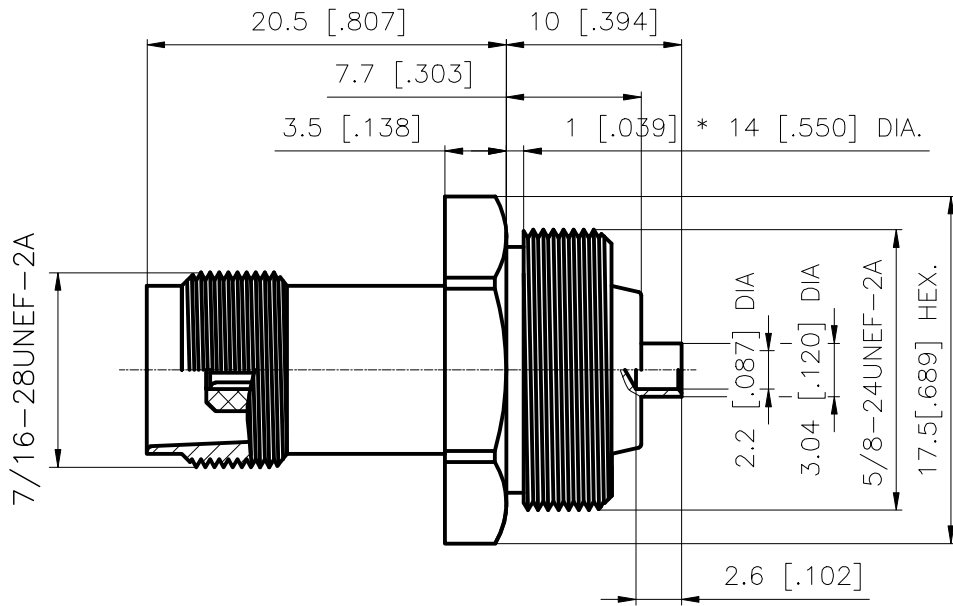


RevNo	Revision note	Date	Signature	Checked
C	Add a groove for end of thread	10/12/12	Teresa	Simon
D	Change some dimensions	3/23/13	Teresa	Simon



Interface Per: MIL-STD-348, IEC 60169-17

Material & Finishing:

1. Center conductor: Beryllium Copper, Gold Plating
2. Insulators: PTFE
3. Body: Brass, Nickel Plating

ALL DIMENSIONS ARE IN MILLIMETERS AND [INCHES]

LIJEN, LLC from KERUI

Title
TNC-KYD-1
TNC female thread mounted receptacle

THESE DRAWING & SPEC. ARE THE PROPERTY OF LIJEN, LLC FROM KERUI AND SHALL NOT BE REPRODUCED, OR COPIED OR USED AS THE BASIS FOR THE MANUFACTURE OR SALE OF APPARATUS OR DEVICES WITHOUT THEIR EXPRESS WRITTEN CONSENT.

UNLESS OTHERWISE NOTED ALL SURFACES FINISHED TO 64/MAX.
ALL TOLERANCES ARE:
DECIMALS FRACTIONS ANGLES
x ± 1.0 ±1/64 x' ± 1"
x.x ± 0.5 x'x' ± 0.5
x.xx ± 0.1

Drawn by Teresa	Ckd by Simon	Appd by Richard	Date 1/30/2011
--------------------	-----------------	--------------------	-------------------

Scale 2.5:1	Sheet 1 of 2	50 1121 076 01 (KR3.660.5001)
----------------	--------------	----------------------------------

Electrical Data:

1. Impedance: 50 Ohms
2. Frequency Range: DC to 3.0 GHz
3. Contact Resistance: Inner Contact: 1.5 milliohms max.
Outer Contact: 0.4 milliohms max.
4. Insulation Resistance: 5000 megaohms min.
5. Dielectric Withstanding Voltage: 1500 V
6. VSWR: N/A (Uncabled receptacles)

Mechanical Data:

1. Contact Captivation: Axial force: 15 N
2. Coupling Nut Torque:
Recommended: 0.46–0.69 N.m
Max.: 1.7 N.m
3. Durability: 500 cycles

Environmental Data:

1. Operating Temperature Rang: -55°C up to 155°C
2. Test Categories: IEC 55/155/21
3. Relative Humidity: MIL-STD-202, Method 106
4. Thermal Shock: MIL-STD-202, Method 107, Cond. B
5. Shock: MIL-STD-202, Method 213, Cond. J
6. Vibration: MIL-STD-202, Method 204, Cond. B
7. Corrosion: MIL-STD-202, Method 101, Cond. B

RoHS Compliant.

ALL DIMENSIONS ARE IN MILLIMETERS AND [INCHES]

LIJEN, LLC from KERUI

Title

TNC-KYD-1
TNC female thread mounted receptacle

THESE DRAWING & SPEC. ARE THE PROPERTY OF LIJEN, LLC FROM KERUI AND SHALL NOT BE REPRODUCED, OR COPIED OR USED AS THE BASIS FOR THE MANUFACTURE OR SALE OF APPARATUS OR DEVICES WITHOUT THEIR EXPRESS WRITTEN CONSENT.

UNLESS OTHERWISE NOTED ALL SURFACES FINISHED TO $64/\text{MAX.}$
ALL TOLERANCES ARE:
DECIMALS FRACTIONS ANGLES
 $x \pm 1.0$ $\pm 1/64$ $x' \pm 1'$
 $x.x \pm 0.5$ $x'x' \pm 0.5$
 $x.xx \pm 0.1$

Drawn by
Teresa

Ckd by
Simon

Appd by
Richard

Date
1/30/2011

Scale

Sheet 2 of 2

50 1121 076 01
(KR3.660.5001)