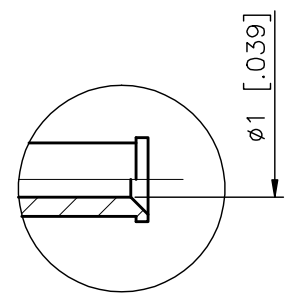
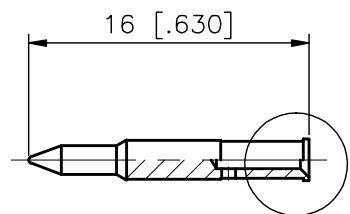
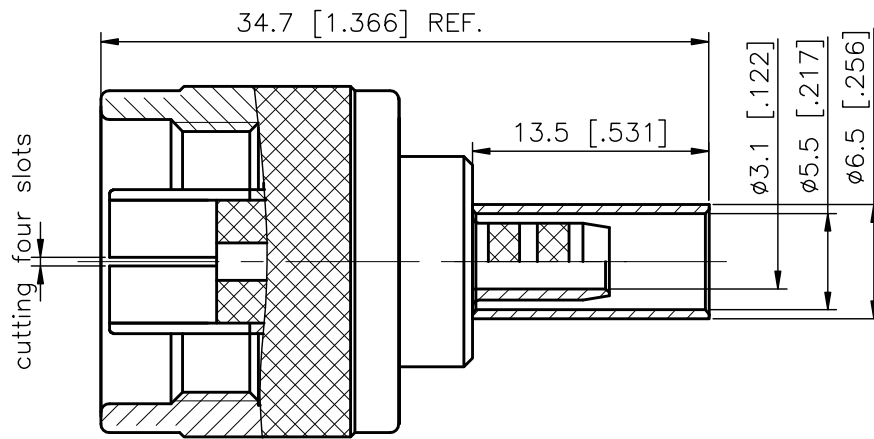


RevNo	Revision note	Date	Signature	Checked
01	change plating of center condutor to silver plating	11/20/18	Teresa	Simon
02	change plating of center condutor to Gold plating	11/2/19	Teresa	Simon
A	Released	1/8/20	Teresa	Simon



A
5:1

- Material & Finishing:
- Center condutor: Brass, Gold Plating
 - Insulators: PTFE
 - Body : Brass, Albaloy Plating
 - Gasket: Silicone Rubber
 - Coupling Nut: Brass, Albaloy Plating
 - C'Ring: Phosphor Bronze
 - Crimp Ferrule: Brass, Albaloy plating
- Electrical Data:
- Impedance: 50 Ohms
 - Frequency Range: DC to 11 GHz
- Mechanical Data:
- Durability: 500 cycles

Group 12 cable of KR: RG142, RG223, RG400, M17/60, M17/84, M17/128

ALL DIMENSIONS ARE IN MILLIMETERS AND [INCHES]

LIJEN, LLC from KERUI

Title
Cable Connector N(m) crimp plug for
group 12 cable of Kerui
(N-JC12-1)

THESE DRAWING & SPEC. ARE THE PROPERTY OF LIJEN, LLC FROM KERUI AND SHALL NOT BE REPRODUCED, OR COPIED OR USED AS THE BASIS FOR THE MANUFACTURE OR SALE OF APPARATUS OR DEVICES WITHOUT THEIR EXPRESS WRITTEN CONSENT.

UNLESS OTHERWISE NOTED ALL SURFACES FINISHED TO 64/MAX.
ALL TOLERANCES ARE:
DECIMALS FRACTIONS ANGLES
x ± 1.0 ±1/64 x' ± 1'
x.x ± 0.5 x'x' ± 0.5
x.xx ± 0.1

Drawn by Teresa	Ckd by Simon	Appd by Richard	Date 10/30/2018
Scale 2.5:1	Sheet 1 of 1	80 1111 112 14	