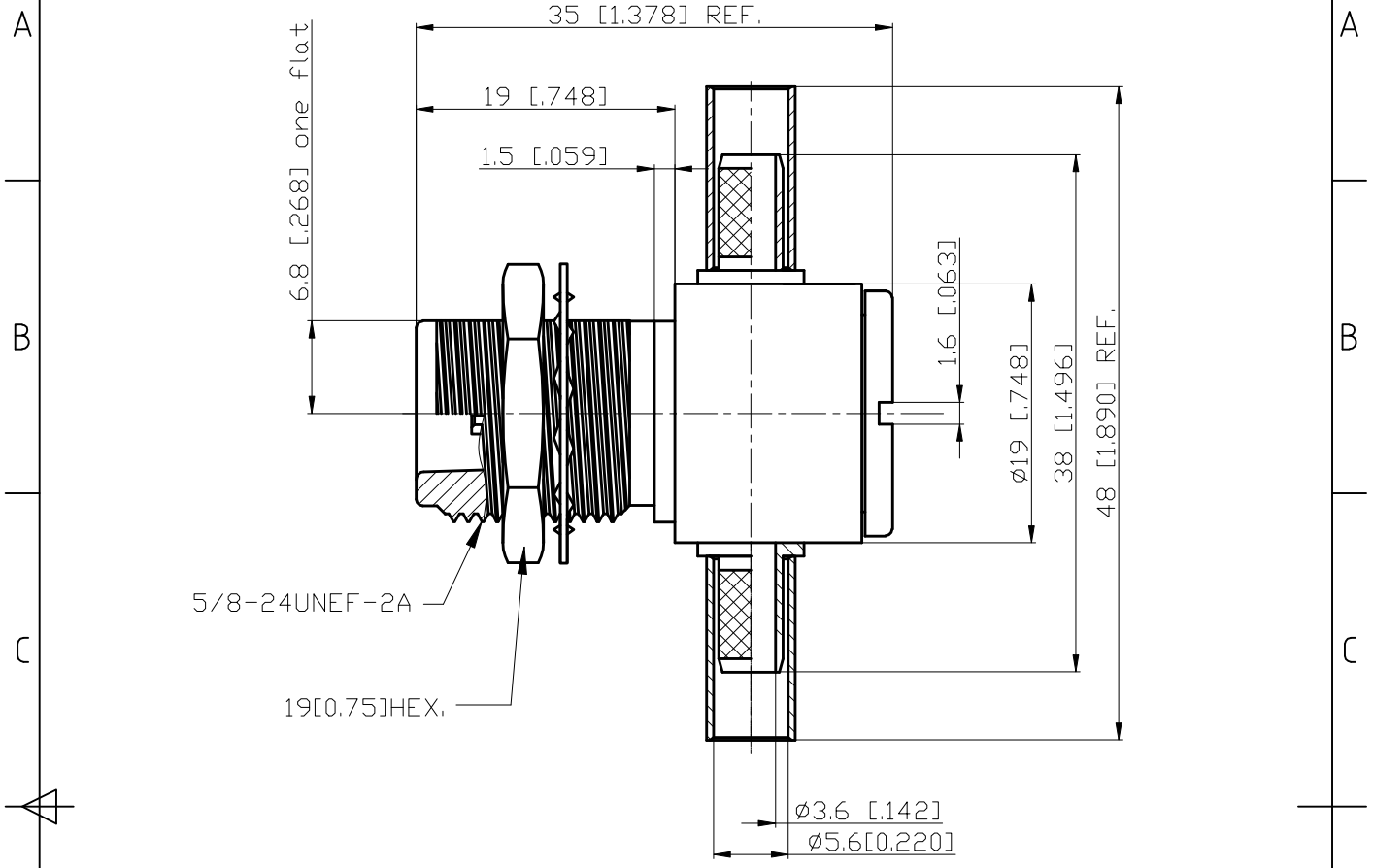


RevNo	Revision note	Date	Signature	Checked
00	Sketch Only	2/2/18	Teresa	Simon
A	Released	2/18/19	Teresa	Simon



RoHS Compliant.
Interface Per: MIL-STD-348, IEC 60169-16

- Material & Finishing:
1. Center conductor: Beryllium copper, Silver Plating
 2. Insulators: PTFE
 3. Inner tooth washer: Phosphor Bronze, Albaloy Plating
 4. Body & other Metal: Brass, Albaloy Plating
 5. Crimp Ferrule : Brass, Nickel Plating

ALL DIMENSIONS ARE IN MILLIMETERS AND [INCHES]		Title Cable Connector N(f) bulkhead crimp for RG-142/U cable (NF/T142)			
LIJEN, LLC from KERUI		Drawn by Teresa	Ckd by Simon	Appd by Richard	Date 2/2/2018
THESE DRAWING & SPEC. ARE THE PROPERTY OF LIJEN, LLC from KERUI AND SHALL NOT BE REPRODUCED, OR COPIED OR USED AS THE BASIS FOR THE MANUFACTURE OR SALE OF APPARATUS OR DEVICES WITHOUT THEIR EXPRESS WRITTEN CONSENT.	UNLESS OTHERWISE NOTED ALL SURFACES FINISHED TO 64/MAX.		Scale 2:1	Sheet 1 of 1	80 1121 112 04
	ALL TOLERANCES ARE: DECIMALS FRACTIONS ANGLES x ± 1.0 ±1/64 x' ± 1" x.x ± 0.5 xx' ± 0.5" x.xx ± 0.1				

Electrical Data:

1. Impedance: 50 Ohms
2. Frequency Range: DC to 3 GHz
3. Contact Resistance: Inner Contact: 1 milliohms max.
Outer Contact: 0.25 milliohms max.
4. Insulation Resistance: 5000 megaohms min.
5. Dielectric Withstanding Voltage: 1500 V rms
6. VSWR: 1.5 max.

Mechanical Data:

1. Contact Captivation: Axial force: 28N
2. Durability: 500 cycles

Environmental Data:

1. Operating Temperature Rang: -65°C up to 155°C
2. Relative Humidity: MIL-STD-202, Method 106
3. Thermal Shock: MIL-STD-202, Method 107, Cond. B
4. Shock: MIL-STD-202, Method 213, Cond. I
5. Vibration: MIL-STD-202, Method 204, Cond. D
6. Corrosion: MIL-STD-202, Method 101, Cond. B

RoHS (2002/95/EC) Compliant.

ALL DIMENSIONS ARE IN MILLIMETERS AND [INCHES]

LIJEN, LLC from KERUI

Title
Cable Connector N(f) bulkhead crimp for
RG-142/U cable
(NF/T142)

THESE DRAWING & SPEC. ARE THE
PROPERTY OF LIJEN, LLC from KERUI
AND SHALL NOT BE REPRODUCED,
OR COPIED OR USED AS THE BASIS
FOR THE MANUFACTURE OR SALE OF
APPARATUS OR DEVICES WITHOUT
THEIR EXPRESS WRITTEN CONSENT.

UNLESS OTHERWISE NOTED
ALL SURFACES FINISHED TO 64/MAX.

ALL TOLERANCES ARE:

DECIMALS	FRACTIONS	ANGLES
x ± 1.0	±1/64	x' ± 1'
x.x ± 0.5		x'x' ± 0.5'
x.xx ± 0.1		

Drawn by Teresa	Ckd by Simon	Appd by Richard	Date 2/2/2018
--------------------	-----------------	--------------------	------------------

Scale 2:1	Sheet 1 of 1	80 1121 112 04
--------------	--------------	----------------