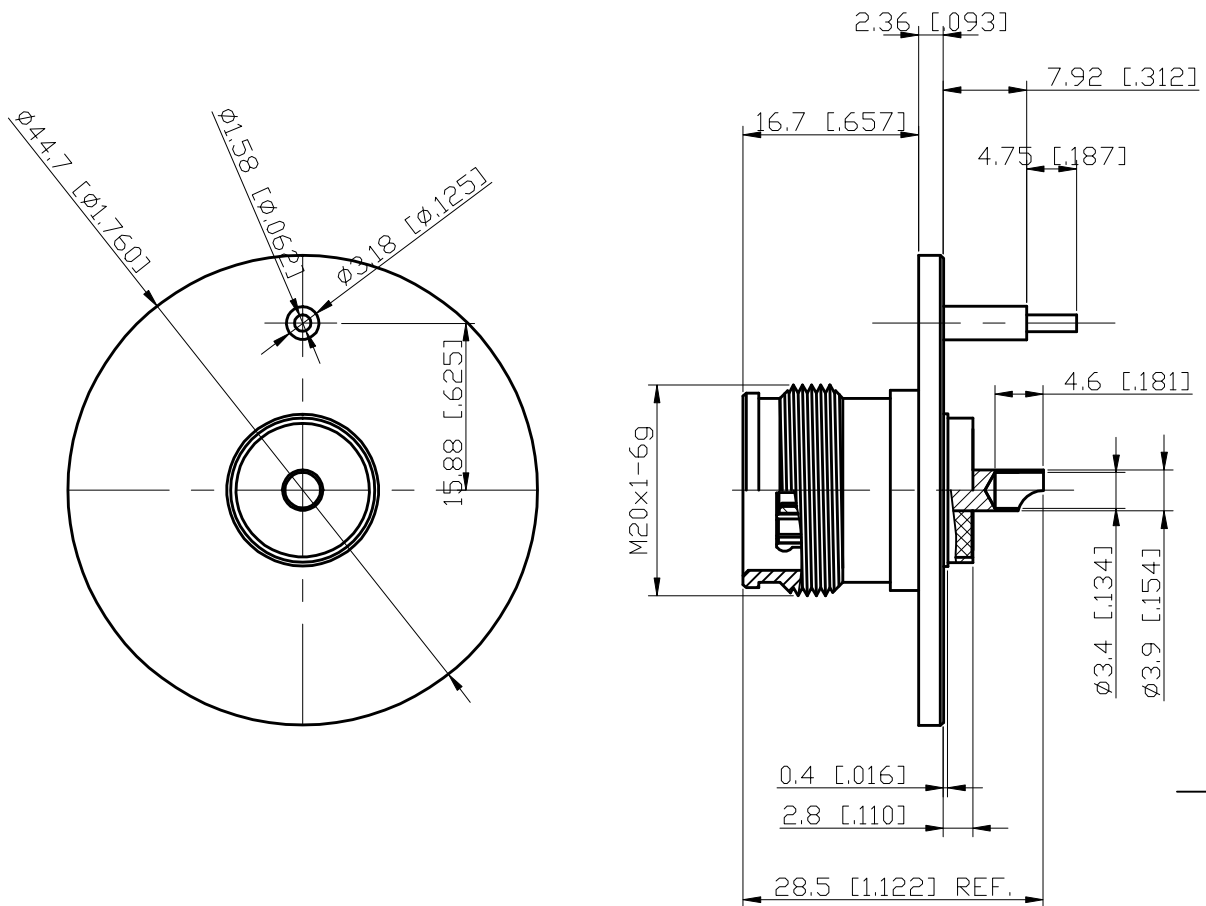


RevNo	Revision note	Date	Signature	Checked
01	Change M20X1.5-6g to M20x1-6g	6/6/19	Teresa	Simon
A	Released	6/6/19	Teresa	Simon



Material & Finishing:

- Center conductor: Beryllium Copper, Silver Plating
- Insulators: PTFE
- Body : Brass, Albaloy Plating
- outer contact: Phosphor Bronze, Albaloy Plating

Electrical Data:

- Impedance: 50 Ohms
- Frequency Range: DC to 3 GHz

Mechanical Data:

- Durability: 500 cycles

RoHS Compliant.

ALL DIMENSIONS ARE IN MILLIMETERS AND [INCHES]

LIJEN, LLC from KERUI

Title
4.3/10(f) Coaxial connector 4.3/10-KFD-1
female flange panel mounted receptable
(G-4366-1)

THESE DRAWING & SPEC. ARE THE PROPERTY OF KERUI ELECTRONIC CO.,LTD AND SHALL NOT BE REPRODUCED, OR COPIED OR USED AS THE BASIS FOR THE MANUFACTURE OR SALE OF APPARATUS OR DEVICES WITHOUT THEIR EXPRESS WRITTEN CONSENT.

UNLESS OTHERWISE NOTED ALL SURFACES FINISHED TO 64/MAX.
ALL TOLERANCES ARE:
DECIMALS FRACTIONS ANGLES
x ± 1.0 ±1/64 x' ± 1'
x.x ± 0.5 x'x' ± 0.5
x.xx ± 0.1

Drawn by Teresa	Ckd by Simon	Appd by Richard	Date 4/28/2019
--------------------	-----------------	--------------------	-------------------

Scale 2.5:1	Sheet 1 of 1	95 1121 046 01
----------------	--------------	----------------