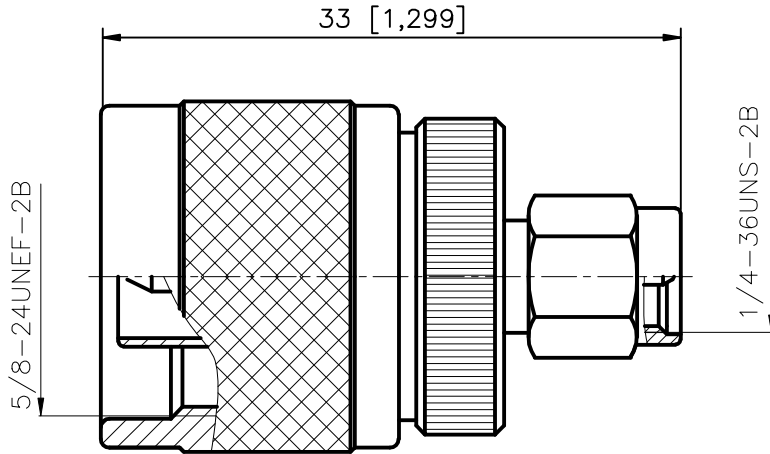


| 1     | 2                          | 3       | 4         |
|-------|----------------------------|---------|-----------|
| RevNo | Revision note              | Date    | Signature |
| A     | Redrawn                    | 9/3/10  | Teresa    |
| B     | Change the Plating of Body | 7/29/11 | Teresa    |



| P/N                                | Coupling Nut |                | Body     |                |
|------------------------------------|--------------|----------------|----------|----------------|
|                                    | Material     | Plating        | Material | Plating        |
| A8010 11 1111 01<br>(KR36400007-1) | Brass        | Nickel & Gold  | Brass    | Nickel         |
| A8010 11 1111 06<br>(KR36400007-2) | Brass        | Albaloy & Gold | Brass    | Silver & Gold  |
| A8010 11 1111 07<br>(KR36400007-3) | Brass        | Albaloy & Gold | Brass    | Albaloy & Gold |
| A8010 11 1111 08<br>(KR36400007-4) | CRS*         | Passivate      | Brass    | Albaloy & Gold |

\* CRS IS CORROSION RESISTANT STEEL

Interface Per: MIL-PRF-39012, IEC 60169-15 & 16

Material & Finishing:

1. Center conductor: Brass, Gold plating
2. C'Ring: Phosphor Bronze & Beryllium Copper
3. Insulators: PTFE
4. Flat Gasket: Silicone Rubber.
5. Coupling Nut & Body: see applicable dash No.

ALL DIMENSIONS ARE IN MILLIMETERS AND [INCHES]

LIJEN, LLC from KERUI

Title  
N male to SMA male adapter  
(N/SMA-JJ)

THESE DRAWING & SPEC. ARE THE PROPERTY OF LIJEN, LLC FROM KERUI AND SHALL NOT BE REPRODUCED, OR COPIED OR USED AS THE BASIS FOR THE MANUFACTURE OR SALE OF APPARATUS OR DEVICES WITHOUT THEIR EXPRESS WRITTEN CONSENT.

UNLESS OTHERWISE NOTED ALL SURFACES FINISHED TO 64/MAX.  
ALL TOLERANCES ARE:  
DECIMALS FRACTIONS ANGLES  
x ± 1.0 ±1/64 x' ± 1'  
x.x ± 0.5 x'x' ± 0.5  
x.xx ± 0.1

Drawn by  
Teresa

Ckd by  
Simon

Appd by  
Richard

Date  
4/29/2010

Scale  
2.5:1

Sheet 1 of 2

A8010 11 1111 \*  
(KR36400007-\*)