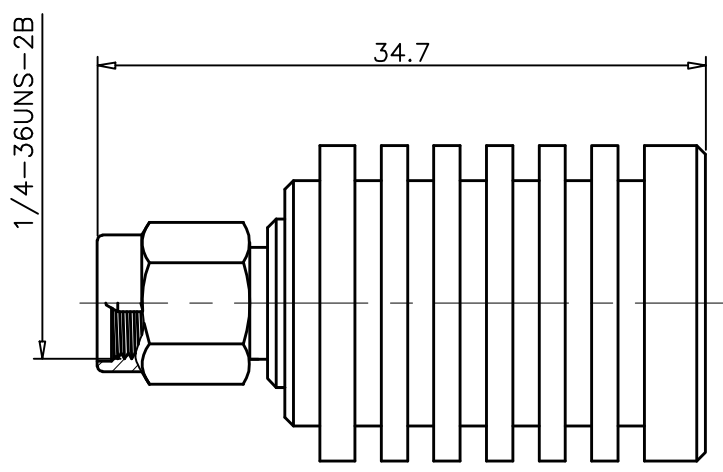


| | | | |
|-------|---------------|--------|------------------|
| 1 | 2 | 3 | 4 |
| RevNo | Revision note | Date | Signature |
| 00 | Sketch Only | 1/7/14 | Teresa |
| | | | Checked Simon |



Interface Per: Interface Per: MIL-STD-348, IEC 60169-15
 Material & Finishing:
 1. Center conductor: Brass, Gold Plating
 2. Insulators: PTFE
 3. C'Ring: Beryllium Copper
 4. Gasket: Silicone Rubber
 5. Body & Other Metal: Brass, Gold Plating

RoHS Compliant.

ALL DIMENSIONS ARE IN MILLIMETERS AND [INCHES]

KERUI ELECTRONIC CO;LTD

Title
SMA male 5W termination

THESE DRAWING & SPEC. ARE THE PROPERTY OF KERUI ELECTRONIC CO;LTD AND SHALL NOT BE REPRODUCED, OR COPIED OR USED AS THE BASIS FOR THE MANUFACTURE OR SALE OF APPARATUS OR DEVICES WITHOUT THEIR EXPRESS WRITTEN CONSENT.

UNLESS OTHERWISE NOTED ALL SURFACES FINISHED TO 64/MAX.
 ALL TOLERANCES ARE:
 DECIMALS FRACTIONS ANGLES
 x ± 1.0 ±1/64 x' ± 1°
 x.x ± 0.5 x'x' ± 0.5°
 x.xx ± 0.1

| | | | |
|--------------------|-----------------|--------------------|------------------|
| Drawn by Teresa | Ckd by Simon | Appd by Richard | Date 7/1/2014 |
| Scale 2.5:1 | Sheet 1 of 1 | 77 10 111 050 01 | |